



# THE 'S' LOCK COUPLER

## FULLY AUTOMATIC EXCAVATOR ATTACHMENT PICK UP SYSTEM

8 Tonne Design



### The 8 Tonne S-LOCK Coupler



#### Features

- OEM approval.
- No internal hoses.
- Twin locking design.
- Only 2 moving parts.
- Compact reliable design.
- Manufactured from Hardox.
- Pick Up Range Options as standard.
- 45mm to 60mm Attachment Pin Pick Up.



The 8 tonne 'S' Lock coupler is the most sought after coupler on the market, it has the capability of picking up any OEM attachment in the 8 tonne range.

It will engage 45mm to 60mm pins meaning its compatible with the following OEM attachments below.

No other coupler offers such flexibility as standard.

Bobcat E80  
 Case Cx75/80  
 CAT 308  
 Doosan Dx80  
 Hitachi Zx85  
 Hyundai HYR80-9  
 JCB 86c  
 JCB 3CX  
 Kobelco sk80  
 Komatsu PC88  
 Kubota Kx080  
 Komatsu Pc80

Luigong 909  
 New Holland E70  
 Neuson ET65  
 Neuson ET90  
 Takeuchi Tb285  
 Volvo Ecr88  
 Yanmar Vio 80

Y Hook Range	
45mm	272 - 348
50mm	275 - 355
55mm	283 - 365
60mm	290 - 370

**Strickland MFG UK**  
 +44 (0) 1386 860349  
 sales@stricklanduk.com  
 www.stricklanduk.com

**Strickland MFG USA**  
 1-866-929-3388  
 sales@stricklandus.com  
 www.stricklandus.com

**Strickland MFG Ireland**  
 +44 (0) 28 87 749117  
 sales@slockcoupler.com  
 www.slockcoupler.com



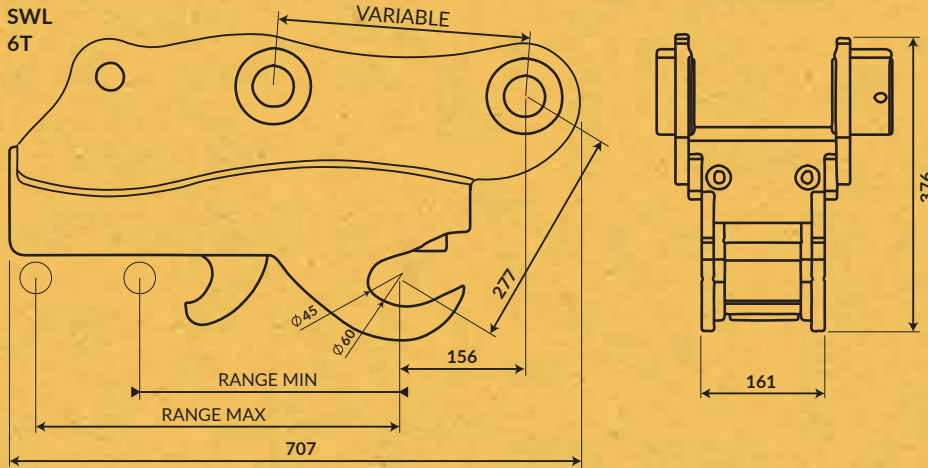
# THE 'S' LOCK COUPLER

## NOTE:

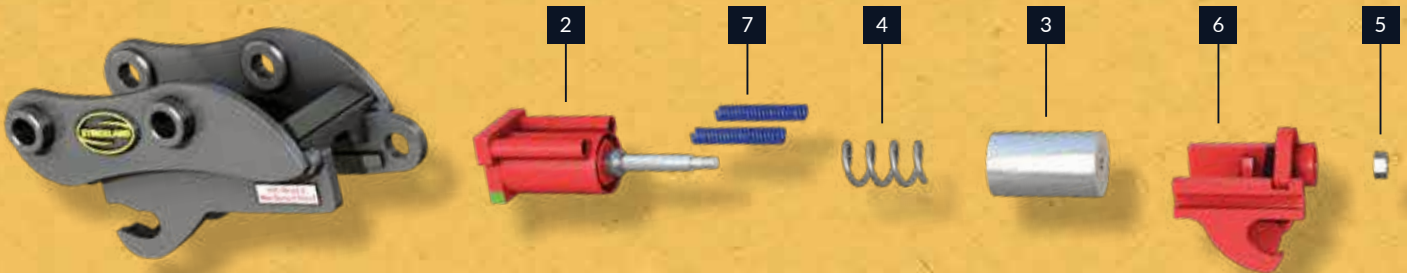
Couplers fitted with lifting eyes, must only be used if excavator is equipped with lifting check valves.

All Strickland 'S' Lock couplers cylinders are fitted with a SAFETY CHECK VALVE (Part number BRCHVR1)

8T Coupler hydraulic cylinder port connection ¼ BSP Female



Coupler Spare Parts		
Item#	Item	Part#
2	Cylinder	BR08T
3	Ram Guard	BR08TRG
4	Coil Spring	BR08TCS
7	Die Spring kit	BR08TDS
5	Bolt Pack	BR08TBP
6	Y Hook	BKCSLK08MJY4



### 8T specific coupler Part Numbers

Bobcat E80	TL08SLK38080Y4N**
Case Cx75/80	TL08SLK03080Y4N
CAT 308	TL08SLK01308Y4N
Doosan Dx80	TL08SLK38080Y4N
Hitachi Zx85	TL08SLK14085Y4N
Hyundai HYR80-9	TL08SLK39809Y4N
JCB 86c	TL08SLK0586CY4N
Kobelco sk80	TL08SLK12070Y4N
Komatsu Pc80	TL08SLK06803Y4N**
Komatsu PC88	TL08SLK06888Y4N
Kubota Kx080	TL08SLK42080Y4N
Luigong 909	TL08SLK35908Y4N
New Holland E70	TL08SLK12070Y4N
Neuson ET65	TL08SLK76E65Y4N
Neuson ET90	TL08SLK76E90Y4N**
Takeuchi Tb285	TL08SLK74280Y4N
Volvo Ecr88	TL08SLK36R88Y4N
Yanmar Vio 80	TL08SLK52080Y4N

\*\* Calipers Optional

### Part Number Identification

TL	Coupler type Twin Locking
08	Excavator Tonnage
SLK	Model 'S' Lock Coupler
14	Excavator Code
085	Excavator Model Number
Y	Hook Selection
4	Design Revision Number
N	Coupler Pickup Width



**Strickland MFG UK**  
 +44 (0) 1386 860349  
 sales@stricklanduk.com  
 www.stricklanduk.com

**Strickland MFG USA**  
 1-866-929-3388  
 sales@stricklandus.com  
 www.stricklandus.com

**Strickland MFG Ireland**  
 +44 (0) 28 87 749117  
 sales@slockcoupler.com  
 www.slockcoupler.com