



THE 'S' LOCK COUPLER

FULLY AUTOMATIC EXCAVATOR ATTACHMENT PICK UP SYSTEM

5 Tonne Design

The 5 Tonne S-LOCK Coupler



Features

- OEM approval.
- No internal hoses.
- Twin locking design.
- Only 2 moving parts.
- Compact reliable design.
- Manufactured from Hardox.
- Pick Up Range Options as standard.
- 40mm and 45mm Attachment Pin Pick Up.



By selecting from the following hooks, you can pick up the relevant OEM attachments below, enabling us to deliver flexibility as standard.

The hooks can be changed in under 5 minutes.

Hooks can be specified at point of order, or ordered on our web site as a replacement part.



X Hook



Y Hook



Z Hook

Case Cx 50
Bobcat E45/50
Hitachi Zx50
JCB 51R
Kobelco SK55
Komatsu Pc45/55
Kubota K50/U48
Takeuchi Tb145
Takeuchi TB260
Volvo Ec55

Bobcat E62
Cat 305
Doosan DX60
Hyundai HYR 55-9
Yanmar Vio 55

JCB 8045/8055
JCB 3CX

X Hook Range	Y Hook Range	Z Hook Range
40mm 215 - 255 45mm 220 - 265	40mm 225 - 295 45mm 260 - 300	40mm 305 - 348 45mm 310 - 350

Strickland MFG UK
+44 (0) 1386 860349
sales@stricklanduk.com
www.stricklanduk.com

Strickland MFG USA
1-866-929-3388
sales@stricklandus.com
www.stricklandus.com

Strickland MFG Ireland
+44 (0) 28 87 749117
sales@slockcoupler.com
www.slockcoupler.com



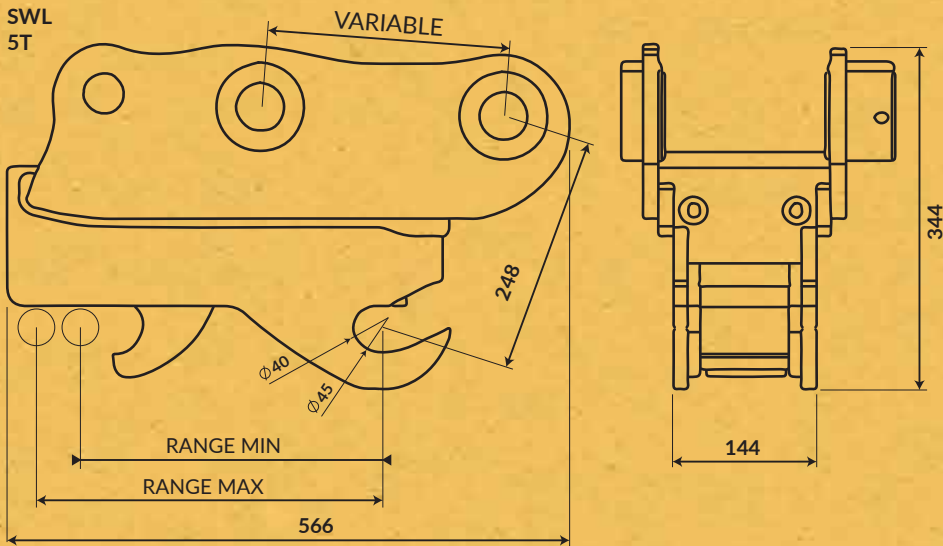
THE 'S' LOCK COUPLER

NOTE:

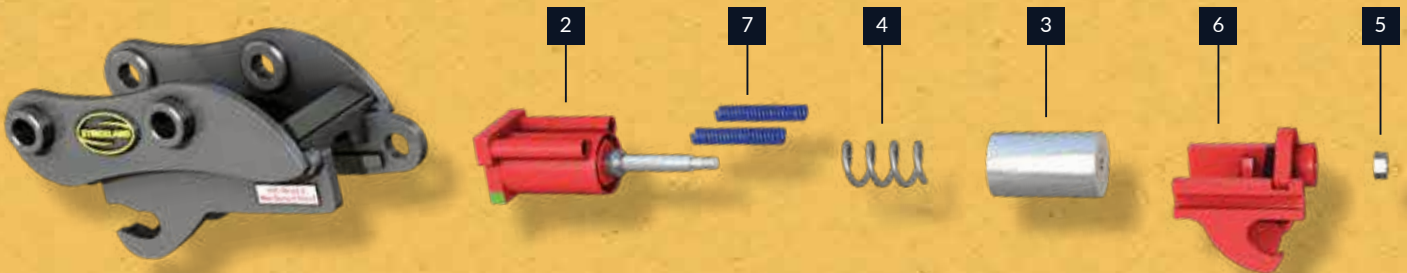
Couplers fitted with lifting eyes, must only be used if excavator is equipped with lifting check valves.

All Strickland 'S' Lock couplers cylinders are fitted with a SAFETY CHECK VALVE (Part number BRCHVR1).

5T coupler hydraulic cylinder connection 1/4 BSP Female



Coupler Spare Parts		
Item#	Item	Part#
2	Cylinder	BR05TA
3	Ram Guard	BR05TRG
4	Coil Spring	BR05TCS
7	Die Spring kit	BR05TDS
5	Bolt Pack	BR05TBP
6	X Hook	BKCSLK05MJX2
6	Y Hook	BKCSLK05MJY2
6	Z Hook	BKCSLK05MJZ2



5T specific coupler Part Numbers

Bobcat E45/50	TL05SLK44E50X4N
Bobcat E62	TL05SLK44E62Y4N
Cat 305	TL05SLK01305X4N
DX60	TL05SLK3860RX4N
Hitachi Zx50	TL05SLK14050X4N
Hyundai HYR 55-9	TL05SLK39559Y4N
JCB 51R /3CX	TL05SLK0551RZ4N
JCB 55Z	TL05SLK0555ZZ4N
JCB 65R	TL05SLK0565RX4N
JCB 8045/8055	TL05SLK05045Z4N
Komatsu Pc45/55	TL05SLK06553X4N
Kubota K50/U48	TL05SLK42K50X4N
Liugong 906D	TL05SLK53906Y4N
Nueson EZ53/3CX	TL05SLK76Z53Z4N
Takeuchi Tb250	TL05SLK74250X4N
Takeuchi TB260	TL05SLK74260X4N
Volvo Ec55	TL05SLK36055X4N
Yanmar Vio 55	TL05SLK52055Y4N

Part Number Identification

TL	Coupler type Twin Locking
05	Excavator Tonnage
SLK	Model 'S' Lock Coupler
14	Excavator Code
050	Excavator Model Number
Z	Hook Selection
4	Design Revision Number
N	Coupler Pickup Width



Strickland MFG UK

+44 (0) 1386 860349
sales@stricklanduk.com
www.stricklanduk.com

Strickland MFG USA

1-866-929-3388
sales@stricklandus.com
www.stricklandus.com

Strickland MFG Ireland

+44 (0) 28 87 749117
sales@slockcoupler.com
www.slockcoupler.com