



THE 'S' LOCK COUPLER

FULLY AUTOMATIC EXCAVATOR ATTACHMENT PICK UP SYSTEM

13 Tonne Design

The 13 Tonne Euro S-Lock Coupler

210kg
462lb

Features

- OEM approval.
- Twin locking design.
- Only 2 moving parts.
- Compact reliable design.
- Manufactured from Hardox.
- Pick Up Range Options as standard.
- 60mm and 65mm Attachment Pin Pick Up.
- Completely enclosed hydraulic cylinder.



The most compact 13 tonne coupler on the market with flexibility to pick up 60mm and 65mm pins. The Strickland 13T 'S' Lock coupler has the lowest coupler boss set to maximise the loss in break out force between the excavator and attachment. Simple and effective design has been the secret to its success, with only two moving parts, including a fully enclosed hydraulic cylinder. This coupler will work in the toughest environments.

The 13T 'S' Lock coupler will pick up the following OEM attachments.

CASE Cx135

Hitachi Zx130

Hyundai Hyr 140

JCB JS130

Kobelco Sk140

Komatsu Pc130

Liugong 915

New Holland E135

Takeuchi TB2150

Volvo Ec140

Y Hook Range - EURO

60mm 355 - 410
65mm 360 - 420

Strickland MFG UK

+44 (0) 1386 860349
sales@stricklanduk.com
www.stricklanduk.com

Strickland MFG USA

1-866-929-3388
sales@stricklandus.com
www.stricklandus.com

Strickland MFG Ireland

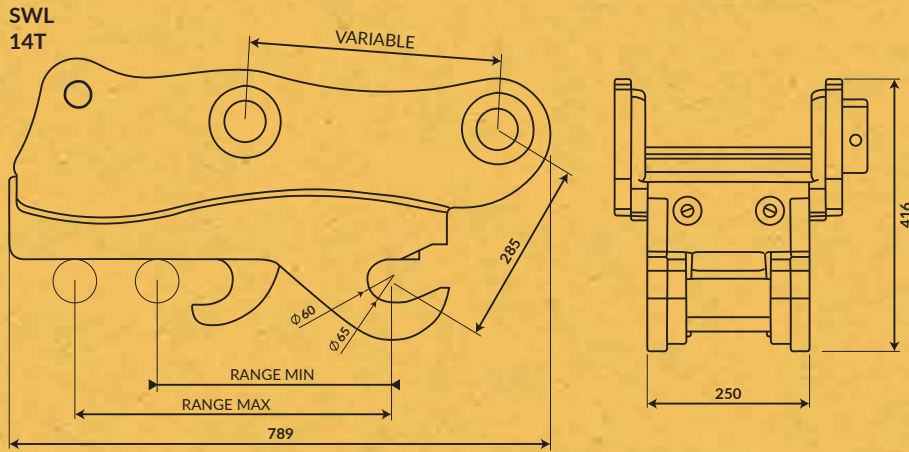
+44 (0) 28 87 749117
sales@slockcoupler.com
www.slockcoupler.com



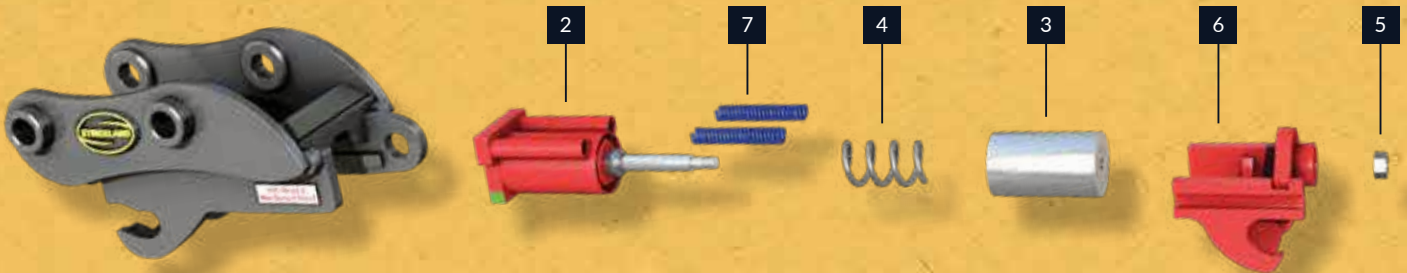
THE 'S' LOCK COUPLER

NOTE:

Couplers fitted with lifting eyes, must only be used if excavator is equipped with lifting check valves.
 All Strickland 'S' Lock couplers cylinders are fitted with a SAFETY CHECK VALVE (Part number BRCHVR1)
 13T Coupler hydraulic cylinder port connection ¼ BSP Female



Coupler Spare Parts		
Item#	Item	Part#
2	Cylinder	BR13T
3	Ram Guard	BR13TRG
4	Coil Spring	BR13TCS
7	Die Spring kit	BR13TDS
5	Bolt Pack	BR13TBP
6	Y Hook	BKCSLK13MJY2



13T specific coupler Part Numbers	
CASE Cx135	
Hitachi Zx130	
JCB JS130	TL13SLK03135Y4N
Kobelco Sk140	TL13SLK40140Y4N
Komatsu Pc130	TL13SLK06130Y4N
Liugong 915	TL13SLK53915Y4N
New Holland E135	TL13SLK12135Y4N
Hyundai Hyr 140	TL13SLK39140Y4N
Takeuchi TB2150	TL13SLK74215Y4N
Volvo Ec140	TL13SLK36140Y4N

Part Number Identification	
TL	Coupler type Twin Locking
13	Excavator Tonnage
SLK	Model 'S' Lock Coupler
03	Excavator Code
135	Excavator Model Number
Y	Hook Selection
4	Design Revision Number
N	Coupler Pickup Width



Strickland MFG UK
 +44 (0) 1386 860349
 sales@stricklanduk.com
 www.stricklanduk.com

Strickland MFG USA
 1-866-929-3388
 sales@stricklandus.com
 www.stricklandus.com

Strickland MFG Ireland
 +44 (0) 28 87 749117
 sales@slockcoupler.com
 www.slockcoupler.com