



THE 'S' LOCK COUPLER

FULLY AUTOMATIC EXCAVATOR ATTACHMENT PICK UP SYSTEM

7 Tonne Design

The 7 Tonne S-LOCK Coupler



Features

- OEM approval.
- No internal hoses.
- Twin locking design.
- Only 2 moving parts.
- Compact reliable design.
- Manufactured from Hardox.
- Pick Up Range Options as standard.
- 40mm and 45mm Attachment Pin Pick Up.



The 7 tonne 'S' Lock coupler is the most compact coupler with a standard pick. It's low profile design maximises excavator break out force. It will engage 45mm and 50mm pins to suit the main excavators in this class. This coupler is all about delivering power and maximising performance. No other coupler comes close!

The 7 tonne 'S' Lock coupler will pick up the following OEM attachments as standard.

Bobcat E80

Komatsu Pc88

Case Cx 75/80

Kobelco Sk80

CAT 308

New Holland E70SR

Doosan Dx80

Hitachi Zx80

Y Hook Range

45mm 285 - 310
50mm 290 - 320

Strickland MFG UK
+44 (0) 1386 860349
sales@stricklanduk.com
www.stricklanduk.com

Strickland MFG USA
1-866-929-3388
sales@stricklandus.com
www.stricklandus.com

Strickland MFG Ireland
+44 (0) 28 87 749117
sales@slockcoupler.com
www.slockcoupler.com



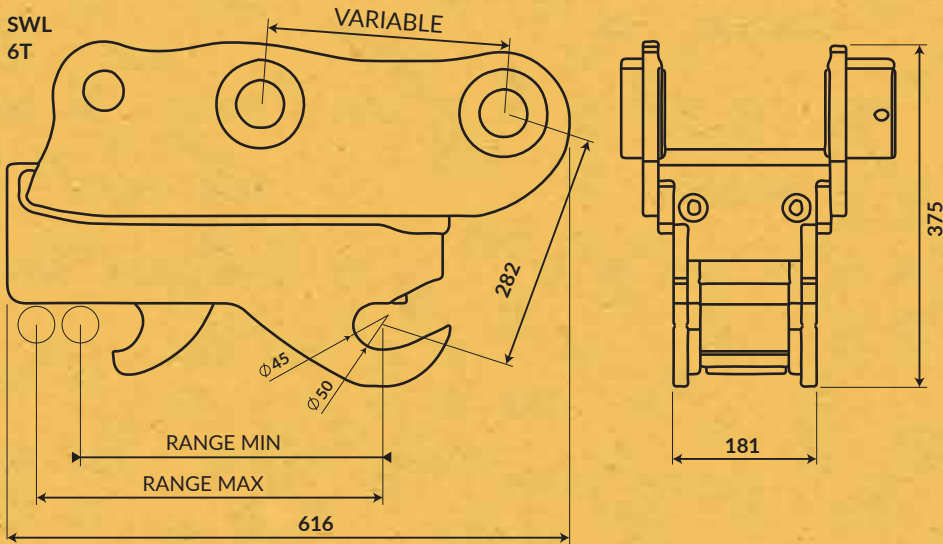
THE 'S' LOCK COUPLER

NOTE:

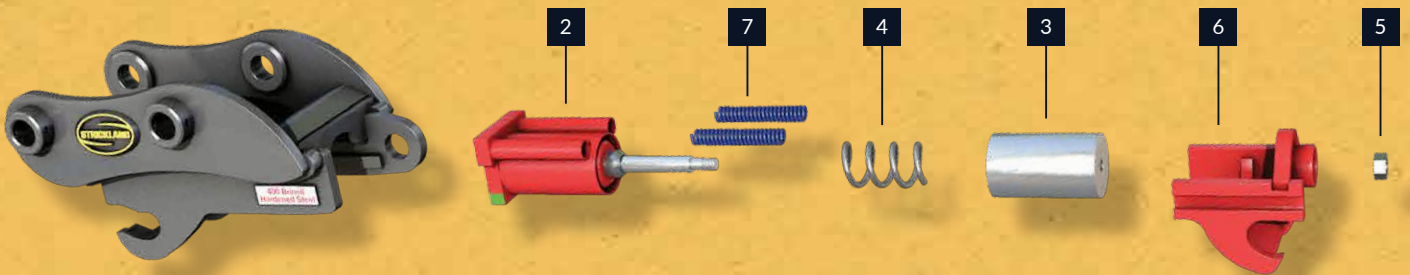
Couplers fitted with lifting eyes, must only be used if excavator is equipped with lifting check valves.

All Strickland 'S' Lock couplers cylinders are fitted with a SAFETY CHECK VALVE (Part number BRCHVR1).

7T Coupler hydraulic cylinder port connection ¼ BSP Female.

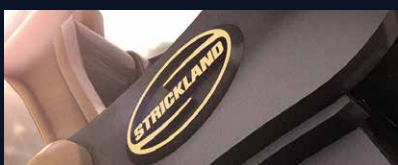


Coupler Spare Parts		
Item#	Item	Part#
2	Cylinder	BR05TA
3	Ram Guard	BR05TRG
4	Coil Spring	BR05TCS
7	Die Spring kit	BR05TDS
5	Bolt Pack	BR05TBP
6	Y Hook	BKCSLK07MJY2



7T specific coupler Part Numbers	
Bobcat E80	
Doosan Dx80	TL07SLK44E80Y2N
Case Cx 75/80	TL07SLK03080Y2N
CAT 308	TL07SLK01308Y2N
Hitachi Zx80	TL07SLK14080Y2N
Komatsu Pc88	TL07SLK06078Y2N
Kobelco Sk80	
New Holland E70SR	TL07SLK40080Y2N

Part Number Identification	
TL	Coupler type Twin Locking
07	Excavator Tonnage
SLK	Model 'S' Lock Coupler
14	Excavator Code
080	Excavator Model Number
Y	Hook Selection
2	Design Revision Number
N	Coupler Pickup Width



Strickland MFG UK
 +44 (0) 1386 860349
 sales@stricklanduk.com
 www.stricklanduk.com

Strickland MFG USA
 1-866-929-3388
 sales@stricklandus.com
 www.stricklandus.com

Strickland MFG Ireland
 +44 (0) 28 87 749117
 sales@slockcoupler.com
 www.slockcoupler.com