



# THE 'S' LOCK COUPLER

FULLY AUTOMATIC EXCAVATOR ATTACHMENT PICK UP SYSTEM

46 Tonne Design



## The 46 Tonne S-Lock Coupler



### Features

- OEM approval.
- Twin locking design.
- Only 2 moving parts.
- Compact reliable design.
- Manufactured from Hardox.
- Pick Up Range Options as standard.
- 100mm and 110mm Attachment Pin Pick Up.
- Completely enclosed hydraulic cylinder.



The most compact 46 tonne coupler on the market with flexibility to pick up 100mm and 110mm pins. The Strickland 46T 'S' Lock coupler has the lowest coupler boss set to maximise the loss in break out force between the excavator and attachment. Simple and effective design has been the secret to its success, with only two moving parts, including a fully enclosed hydraulic cylinder. This coupler will work in the toughest environments.

The following hooks will pick up the relevant OEM attachments below.



Y Hook



Z Hook

Case Cx460/JS460  
Hitachi Zx450  
Hyundai  
Hyr480/Hx480  
Komatsu  
Pc450/Pc490

Kobelco Sk480  
Volvo EC360

Y Hook Range	Z Hook Range
100mm 537 - 590	100mm 585 - 637
110mm 557 - 620	110mm 605 - 667

Strickland MFG UK  
+44 (0) 1386 860349  
sales@stricklanduk.com  
www.stricklanduk.com

Strickland MFG USA  
1-866-929-3388  
sales@stricklandus.com  
www.stricklandus.com

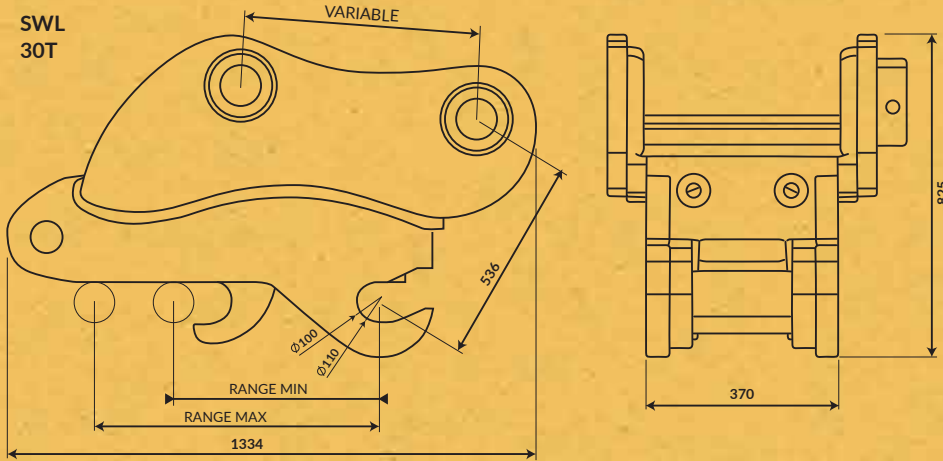
Strickland MFG Ireland  
+44 (0) 28 87 749117  
sales@slockcoupler.com  
www.slockcoupler.com



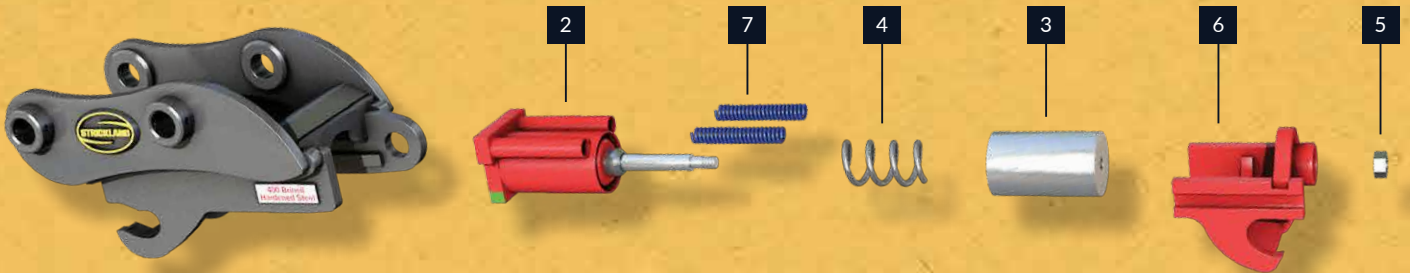
# THE 'S' LOCK COUPLER

**NOTE:**

Couplers fitted with lifting eyes, must only be used if excavator is equipped with lifting check valves.  
 All Strickland 'S' Lock couplers cylinders are fitted with a SAFETY CHECK VALVE (Part number BRCHVR1)  
 46T Coupler hydraulic cylinder port connection ¼ BSP Female

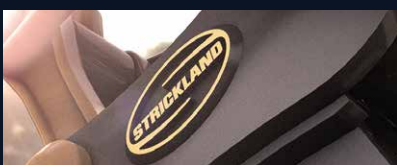


Coupler Spare Parts		
Item#	Item	Part#
2	Cylinder	BR30TB
3	Ram Guard	BR30TRG
4	Coil Spring	BR30TCS
7	Die Spring kit	BR30TDS
5	Bolt Pack	BR30TBP
6	Y Hook	BKCSLK46MJY2
6	Z Hook	BKCSLK46MJZ2



36T specific coupler Part Numbers	
Case Cx460/JS460	TL46SLK03460Y2N
Hitachi Zx450	TL46SLK14450Y2N
Hyundai Hyr480/Hx480	TL46SLK39480Y2N
Kobelco Sk480	TL46SLK40480Z2N
Komatsu Pc450/Pc490	TL46SLK06450Y2N
Volvo 480	TL46SLK36480Z2N

Part Number Identification	
TL	Coupler type Twin Locking
46	Excavator Tonnage
SLK	Model 'S' Lock Coupler
14	Excavator Code
460	Excavator Model Number
Y	Hook Selection
2	Design Revision Number
N	Coupler Pickup Width



**Strickland MFG UK**  
 +44 (0) 1386 860349  
 sales@stricklanduk.com  
 www.stricklanduk.com

**Strickland MFG USA**  
 1-866-929-3388  
 sales@stricklandus.com  
 www.stricklandus.com

**Strickland MFG Ireland**  
 +44 (0) 28 87 749117  
 sales@slockcoupler.com  
 www.slockcoupler.com