



# THE 'S' LOCK COUPLER

## FULLY AUTOMATIC EXCAVATOR ATTACHMENT PICK UP SYSTEM

3 Tonne Design



### The Mini S-LOCK Coupler



#### Features

- OEM approval.
- No internal hoses.
- Twin locking design.
- Only 2 moving parts.
- Compact reliable design.
- Manufactured from Hardox.
- Pick Up Range Options as standard.
- 35mm and 40mm Attachment Pin Pick Up.



By selecting from the following hooks, you can pick up the relevant OEM attachments below, enabling us to deliver flexibility as standard.

The hooks can be changed in under 5 minutes.

Hooks can be specified at point of order, or ordered on our web site as a replacement part.



JCB 8025 8035  
Kubota Kx71



Volvo Ec25  
Cat 302



Cat 303  
Hitachi Zx26 Zx29 Zx30  
Hyundai R27 R35  
Kobelco SK30  
Komatsu Pc27r-8  
Komatsu Pc27 Pc30 Pc35  
Kubota Kx101  
NewHolland E27  
Takeuchi TB228

X Hook Range	Y Hook Range	Z Hook Range
ONLY 35mm 130 - 160	35mm 160 - 190 40mm 165 - 200	35mm 180 - 210 38mm 183 - 215 40mm 185 - 221

**Strickland MFG UK**  
+44 (0) 1386 860349  
sales@stricklanduk.com  
www.stricklanduk.com

**Strickland MFG USA**  
1-866-929-3388  
sales@stricklandus.com  
www.stricklandus.com

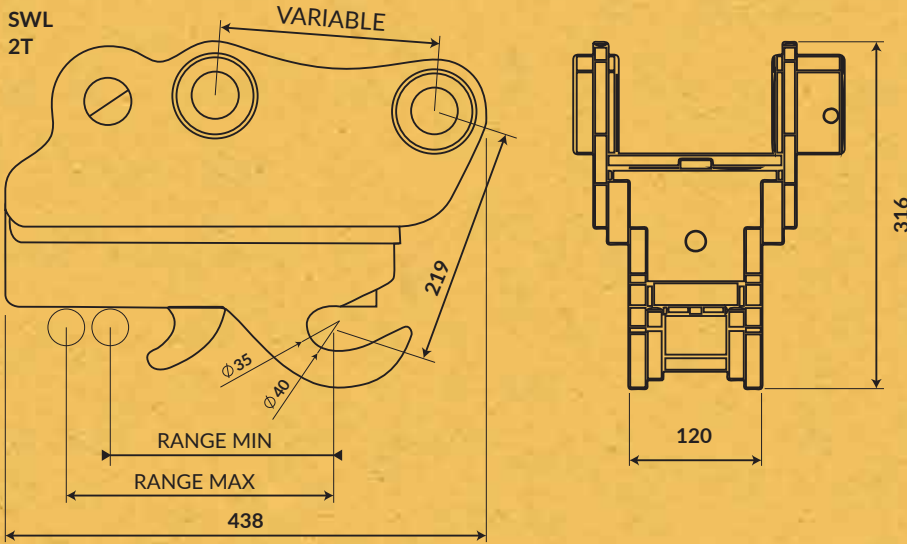
**Strickland MFG Ireland**  
+44 (0) 28 87 749117  
sales@slockcoupler.com  
www.slockcoupler.com



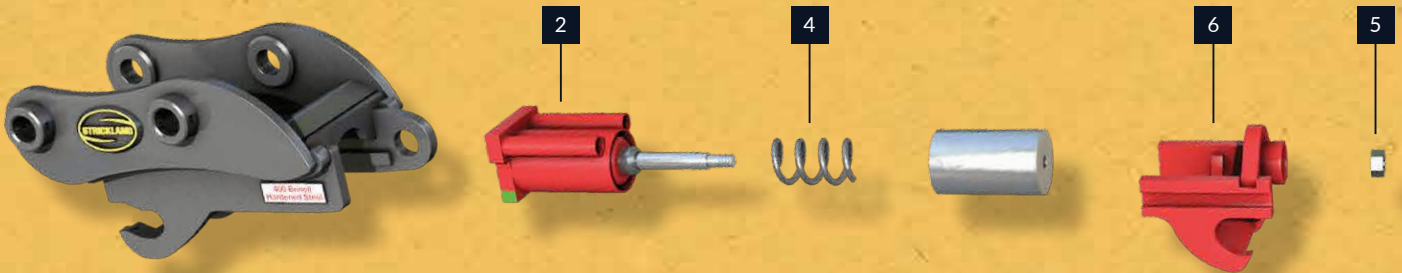
# THE 'S' LOCK COUPLER

**NOTE:**

Couplers fitted with lifting eyes, must only be used if excavator is equipped with lifting check valves.  
 All Strickland 'S' Lock couplers cylinders are fitted with a SAFETY CHECK VALVE (Part number BRCHVR1).  
 3T coupler hydraulic cylinder connection 1/8 BSP Female.



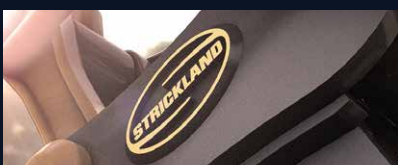
Coupler Spare Parts		
Item#	Item	Part#
2	Cylinder	BR03T
4	Coil Spring	BR03TCS
5	Bolt Pack	BR03TBP
6	X Hook	BKCSLK03MJX4
6	Y Hook	BKCSLK03MJY4
6	Z Hook	BKCSLK03MJZ4



3T coupler Part Numbers	
<b>Specific models</b>	
Cat 303 TL03SLK01303Z4S	Hyundai Hyr 35 TL03SLK39035Z4S
Hyundai Hyr27 TL03SLK39027Z4S	Komatsu Pc30/35 TL03SLK06030Z4S
Kubota u35 TL03SLK42U35Z4S	
<b>Generic models</b>	
TL03SLK35135145X4S JCB 8025 8030 Kubota Kx71	TL03SLK35140200Z4S Hitachi Zx26 Zx29 Hyundai R27
TL03SLK35135175Y4S Cat 302 Volvo Ec25	Kobelco sk30 New Holland E27 Takeuchi TB228
TL03SLK40140200Z4S Hitachi Zx30 Neuson Et38	TL03SLK40135215Z4S Cat 303 Hyundai 35

**'S' Lock coupler ordering.**  
 Choose between Generic or Specific models.  
 Generic will give you the capacity to fit the coupler to the listed models. It also comes with greaser pins and rings to suit. Specific couplers will only fit on the listed model.

Part Number Identification	
TL	Coupler type Twin Locking
03	Excavator Tonnage
SLK	Model 'S' Lock Coupler
14	Excavator Code
026	Excavator Model Number
Z	Hook Selection
4	Design Revision Number
S	Coupler Pickup Width



**SALES**  
 Strickland MFG UK  
 +44 (0) 1386 860349  
 sales@stricklanduk.com  
 www.stricklanduk.com

**SALES**  
 Strickland MFG USA  
 +001866-929-3388  
 sales@stricklandus.com  
 www.stricklandus.com

**MANUFACTURE**  
 Strickland Ireland  
 +44 (0) 28 87 749117  
 sales@slockcoupler.com  
 www.slockcoupler.com